

# HTTI



## Roof mounted axial extract fans with inclined supports



Roof mounted axial extract fans adapted to the roof inclination, with built-in safety switch.

### Fan:

- Support base in galvanised steel sheet.
- Fibreglass reinforced polyamide-6 impeller.
- Rain deflector cap.
- Airflow direction from motor to impeller.

### Motor:

- Motors with IE3 efficiency for powers equal to or greater than 0.75 kW, except single-phase, 2-speed and 8-pole.
- Class F motors with ball bearings and IP55 protection.

- Three-phase 230/400 V 50 Hz (up to 4 kW) and 400/690 V 50 Hz (powers greater than 4 kW).
- Working temperature: -25 °C +60 °C.

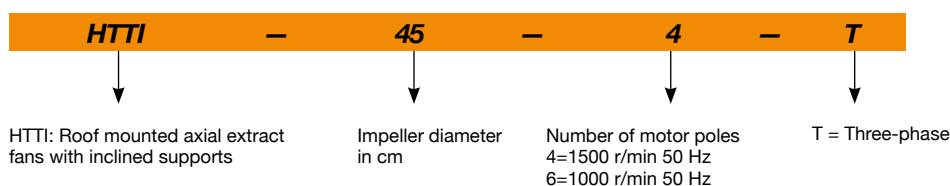
### Finish:

- Galvanised steel sheet.

### On request:

- All required slopes and base measurements (max. length 2 m).
- Anti-corrosive in stainless steel sheet.
- Special windings for different voltages.
- ATEX certified Category 2.

## Order code



## Technical characteristics

| Model           | Speed<br>(r/min) | Maximum admissible current<br>(A) |       |      | Installed power<br>(kW) | Maximum flow rate<br>(m <sup>3</sup> /h) | Sound pressure level <sup>1</sup><br>dB (A) |         | Approx. weight<br>(Kg) |
|-----------------|------------------|-----------------------------------|-------|------|-------------------------|--|---|---------|------------------------|
|                 |                  | 230V                              | 400V  | 690V |                         |  | Inlet                                       | Exhaust |                        |
| HTTI-50-4T      | 1420             | 2.17                              | 1.25  |      | 0.55                    | 9215                                     | 55  | 54      | 36                     |
| HTTI-56-4T IE3  | 1455             | 4.07                              | 2.34  |      | 1.10                    | 11840                                    | 58  | 57      | 48                     |
| HTTI-71-4T IE3  | 1440             | 5.41                              | 3.11  |      | 1.50                    | 19190                                    | 64  | 63      | 47                     |
| HTTI-71-6T      | 900              | 2.99                              | 1.73  |      | 0.55                    | 13750                                    | 53  | 52      | 55                     |
| HTTI-80-4T IE3  | 1445             | 10.70                             | 6.15  |      | 3.00                    | 34165                                    | 69  | 68      | 64                     |
| HTTI-80-6T IE3  | 945              | 4.68                              | 2.69  |      | 1.10                    | 23855                                    | 58  | 57      | 88                     |
| HTTI-90-4T IE3  | 1450             | 13.90                             | 8.00  |      | 4.00                    | 42690                                    | 75  | 74      | 94                     |
| HTTI-90-6T IE3  | 950              | 6.43                              | 3.70  |      | 1.50                    | 31595                                    | 63  | 62      | 106                    |
| HTTI-100-4T IE3 | 1465             |                                   | 13.90 | 8.06 | 7.50                    | 57900                                    | 79  | 78      | 119                    |
| HTTI-100-6T IE3 | 950              | 9.08                              | 5.22  |      | 2.20                    | 34460                                    | 68  | 67      | 149                    |

1. The noise level values are pressures in dB(A) measured at a distance of 10 metres in a free field.

## Accessories



INT



VSD3/A-RFT  
- VSD1/A-RFM



AET



OP

**Acoustic characteristics**

The values given are obtained under laboratory conditions according to ISO 3744.

**Sound power spectrum Lw(A) in dB(A) per Hz frequency band**

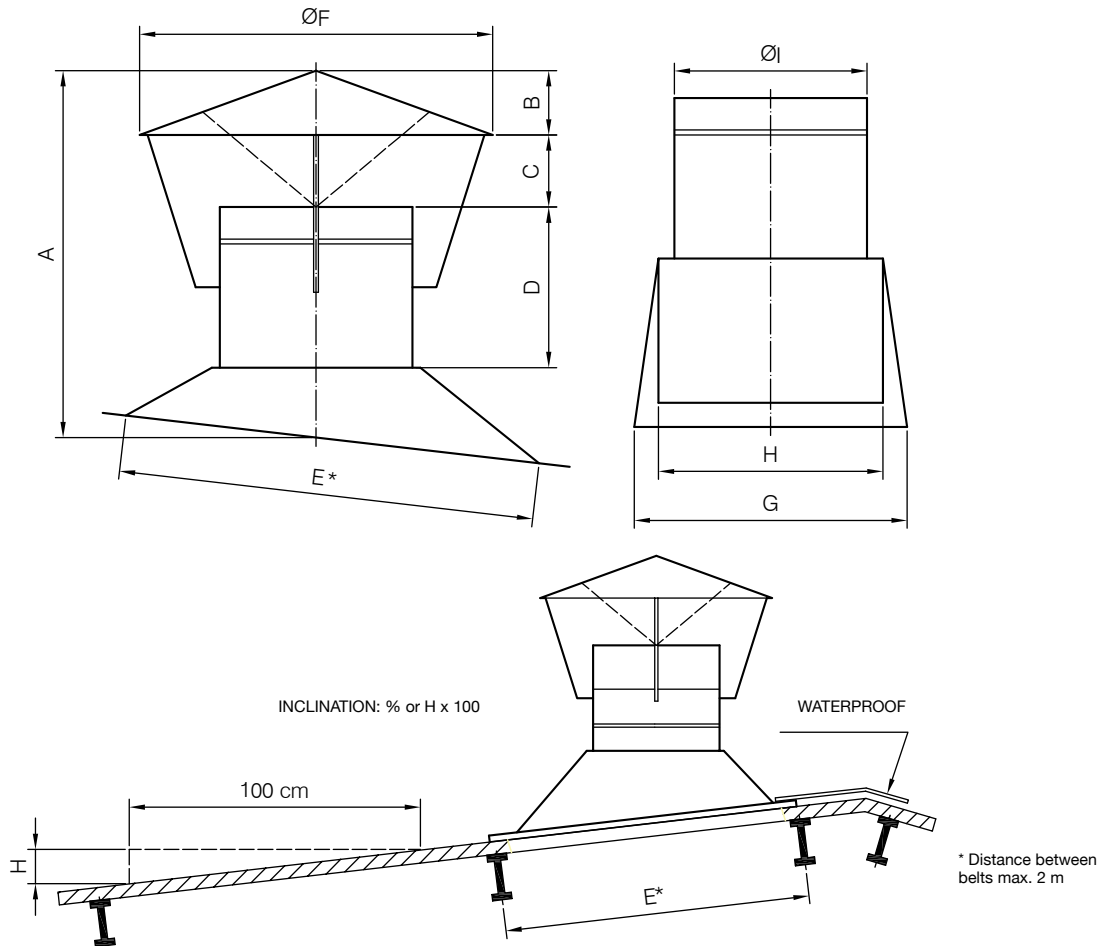
Values measured at inlet with maximum flow rate

|             | 63 | 125 | 250 | 500 | 1000 | 2000 | 4000 | 8000 |
|-------------|----|-----|-----|-----|------|------|------|------|
| HTTI-50-4T  | 54 | 65  | 73  | 80  | 79   | 79   | 74   | 66   |
| HTTI-56-4T  | 55 | 67  | 76  | 82  | 82   | 82   | 76   | 68   |
| HTTI-71-4T  | 59 | 75  | 82  | 88  | 88   | 88   | 84   | 76   |
| HTTI-71-6T  | 48 | 55  | 75  | 78  | 78   | 73   | 65   | 57   |
| HTTI-80-4T  | 58 | 74  | 87  | 94  | 94   | 91   | 85   | 77   |
| HTTI-80-6T  | 57 | 72  | 79  | 82  | 83   | 80   | 74   | 66   |
| HTTI-90-4T  | 66 | 82  | 93  | 99  | 100  | 98   | 93   | 85   |
| HTTI-90-6T  | 58 | 73  | 84  | 88  | 88   | 84   | 77   | 69   |
| HTTI-100-4T | 73 | 89  | 96  | 103 | 104  | 102  | 98   | 90   |
| HTTI-100-6T | 64 | 79  | 89  | 92  | 93   | 90   | 82   | 74   |

Values measured at exhaust with maximum flow rate

|             | 63 | 125 | 250 | 500 | 1000 | 2000 | 4000 | 8000 |
|-------------|----|-----|-----|-----|------|------|------|------|
| HTTI-50-4T  | 53 | 64  | 72  | 79  | 78   | 78   | 73   | 65   |
| HTTI-56-4T  | 54 | 66  | 75  | 81  | 81   | 81   | 75   | 67   |
| HTTI-71-4T  | 58 | 74  | 81  | 87  | 87   | 87   | 83   | 75   |
| HTTI-71-6T  | 47 | 54  | 74  | 77  | 77   | 72   | 64   | 56   |
| HTTI-80-4T  | 57 | 73  | 86  | 93  | 93   | 90   | 84   | 76   |
| HTTI-80-6T  | 56 | 71  | 78  | 81  | 82   | 79   | 73   | 65   |
| HTTI-90-4T  | 65 | 81  | 92  | 98  | 99   | 97   | 92   | 84   |
| HTTI-90-6T  | 57 | 72  | 83  | 87  | 87   | 83   | 76   | 68   |
| HTTI-100-4T | 72 | 88  | 95  | 102 | 103  | 101  | 97   | 89   |
| HTTI-100-6T | 63 | 78  | 88  | 91  | 92   | 89   | 81   | 73   |

**Dimensions mm**



|             | A    | B   | C   | D   | ØF   | G    | H    | ØI   |
|-------------|------|-----|-----|-----|------|------|------|------|
| HTTI-50-4T  | 800  | 150 | 200 | 300 | 1080 | 821  | 611  | 550  |
| HTTI-56-4T  | 800  | 150 | 200 | 300 | 1080 | 821  | 611  | 570  |
| HTTI-71-4T  | 900  | 200 | 230 | 300 | 1220 | 1006 | 796  | 750  |
| HTTI-71-6T  | 900  | 200 | 230 | 300 | 1220 | 1006 | 796  | 750  |
| HTTI-80-4T  | 1100 | 250 | 310 | 300 | 1335 | 1110 | 900  | 820  |
| HTTI-80-6T  | 1100 | 250 | 310 | 300 | 1335 | 1110 | 900  | 820  |
| HTTI-90-4T  | 1150 | 300 | 310 | 300 | 1400 | 1210 | 1000 | 920  |
| HTTI-90-6T  | 1150 | 300 | 310 | 300 | 1400 | 1210 | 1000 | 920  |
| HTTI-100-4T | 1200 | 350 | 310 | 300 | 1600 | 1306 | 1096 | 1060 |
| HTTI-100-6T | 1200 | 350 | 310 | 300 | 1600 | 1306 | 1096 | 1060 |

### Characteristic curves

Q= Flow rate in m<sup>3</sup>/h, m<sup>3</sup>/s and cfm

Pe= Static pressure in mm H<sub>2</sub>O, Pa and inwg

